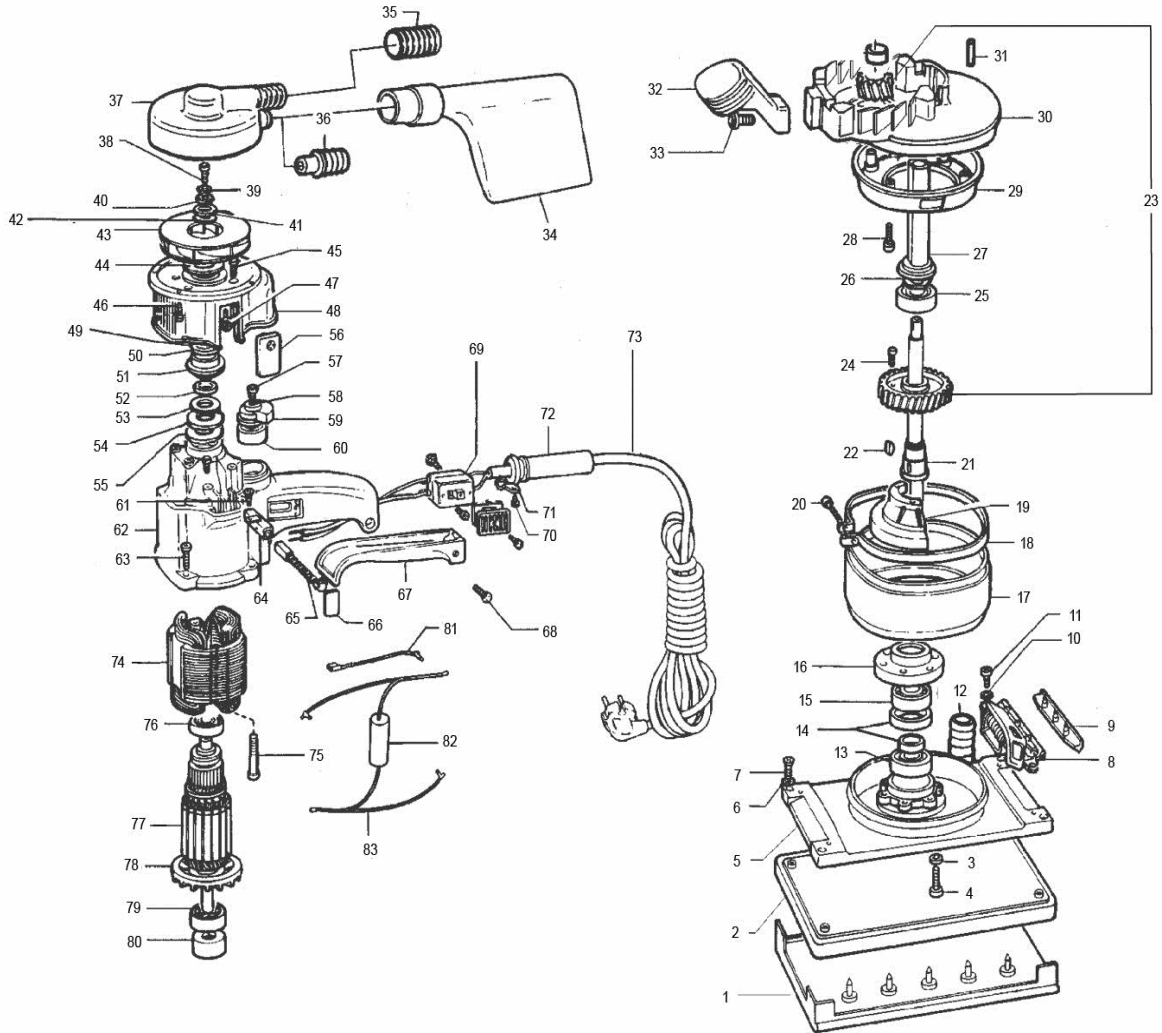


LEVIGATRICI ORBITALE CON ASPIRAZIONE INCORPORATA
 ORBITAL SANDER WITH INTEGRAL DUST EXTRACTION



ID	ITEM	DESCRIPTION
002	983.002	SUCTION RUBBER PLATE
002	62.55MH	MULTI HOLES VELCRO RUBBER PLATE
003	9.331	TOOTHED WASHER
004	9.676	SCREW M5 x 18 T.C.C. BURNISHED
005	61.89/4	BASE PLATE (WORKED)
005	61.89	BASE PLATE
006	9.329	TOOTHED WASHER
007	9.612	SCREW M4 x 10 T.G.S. BURNISHED
008	617.55	COMPLETE BOW
009	615.55	SKID FOR BLACK PVC BOW 68/70 SHORE
010	9.252	STEEL WASHER d 7,6x4,4 s1,8 autobl. NL4D AK150
011	9.624	SCREW M4 x 10 T.C.C. BURNISHED
012	66.14	VACUUM FILLER
013	9.99/10	BEARING NSK 6201 DDUCM D EA3S6
014	54.14	SPACER SET
015	9.99/10	BEARING NSK 6201 DDUCM D EA3S6
016	59.14	LOCKING CUP SS70-SSCA
017	63.14	RUBBER RING
018	641.14	HOSE CLAMP
019	571.55	PRIMARY COUNTERWEIGHT
019	57.55	PRIMARY COUNTERWEIGHT
020	9.606	SCREW M3 x 18 T.C.C. NIK
021	51.14	SPINDLE SHAFT
022	9.502	SPANNER 3x3,7
023	50.55	GEAR + PINION
024	9.613	SCREW M4 x 10 T.B.E. 12K BURNISHED
025	9.86/10	BEARING SKF 6202 2RSL
026	55.55	NUT MF14 p 1
027	75.55	INSULATION SLEEVE SS70
028	9.650	SCREW 3,5x19 (6x3/4") T.C.C.
029	361.55	GREASE BOX SS70
030	321.55	GEAR HOUSING SS70
031	9.483	ROLL d 2,5 x13,8
032	81.55	KNOB
033	9.645	SCREW M8 x 16 T.C.C. BURNISHED
034	80.89	BAG
035	9.1241	TUBE EVA cm.42 (d 20x25)
036	674.89	CONNECTOR
037	86.89	COVER SSCA
038	9.614	SCRE M4 x 12 T.C.C. d7,7 BRN 8.8
039	9.323	IRON SPACER 14/4,2/1
040	9.334	TOOTHED WASHER
041	9.377	STEEL WASHER d16 x 9,4 s 1,5
042	9.305	STEEL WASHER d15 x 9,1 s 0,3
043	84.89	PRESSURE FAN
044	841.89	FAN HUB
045	9.660	SCREW 3,9x16 (7x5/8") T.C.C.
046	9.551	SCREW 2,9x13 (4x1/2") T.C.C.
047	9.522	NUT M4 GALVANIZE
048	34.89	MOTOR BODY COVER
049	9.314	STEEL WASHER d31,9 x 26 s 0,1
050	9.359	WASHER d35 x 26 s 1
051	55.89	DUST GUARD SSCA
052	9.391	WASHER d22 x15 s 3
053	9.311	STEEL WASHER d22 x 17,2 s 0,3
054	9.320	STEEL WASHER d23 x 9,1 s 0,3

ID	ITEM	DESCRIPTION
055	9.304	STEEL WASHER d15 x 9,1 s 0,1
056	48.89	OUTER BRUSH COVER + SCREW E R.
057	9.614	SCRE M4 x 12 T.C.C. d7,7 BRN 8.8
058	9.326	GROWER WASHER
059	58.55	SECONDARY COUNTERWEIGHT
060	9.187/10	BEARING 629 2BRS R66 FA227
061	9.561	SCREW M3 x 6(5)T.C.ZIGR.COPPER
062	31.55	SS70-SSCA MOTOR BODY
063	9.676	SCREW M5 x 18 T.C.C. BURNISHED
064	46.45	BRUSH HOLDER COOPER PLATTED
065	47.45/10	10 BRUSHES BLISTER RP84-SS70-SSPF
066	48.55	RECTANGULAR PLATE FIB. 22 x 14 s1
067	44.55	HANDLE COVER
068	9.615	SCREW M4 x 12 T.G.S.BURNISHED
069	45.00.14/C	SWITCH
070	9.660	SCREW 3,9x16 (7x5/8") T.C.C.
071	444.14	CABLE CLAMP NYLON
072	42.40	CABLE SLEEVE LH/GM/GP/SSPF
073	9C2X1,0NAU5FOR	CABLE 2X1 (plug Australia) H07RN-F mt.5
073	9C2X1,0R404FOR	CABLE 2X1 (plug D4) H07RN-F mt.4 with fork (only Swiss)
073	9C2X1,0NGB4FOR	CABLE 2X1 (plug UK) with fork H07RN-F CENTRAL METAL PLUG
073	9C2X1,0N485FOR	CAVO 2x1 (spina Schuko d4,8) mt.5 H05RN-F con forchetta
073	9C2X1,5V003FOR	CABLE 2X1,5 (without plug) mt.3,50 with fork
074	2.55/240	STATOR (V.240)
074	2.55/220	STATOR (V.220)
074	2.55/110	STATOR (V.110)
074	2.55/048	STATOR (V.48)
075	9.651	SCREW 4,2x50 (8x2") T.C.C.
076	9.187/10	BEARING 629 2BRS R66 FA227
077	1.89/220	ROTOR (V.220-240)
077	1.89/110	ROTOR (V.110)
077	1.89/048	ROTOR (V. 48)
078	15.55	FAN 12 BLADES
079	9.85/10	BEARING SKF 6000 2RSL
080	268.55	BEARING CAP
081	77.55	INDUCTANZE WITH CABLE
082	9.1505	CONDENSER CIL. MOD. MKT70 220 nF-K 250V
083	774.55	CABLE BRUSH HOLDER SS70